

- 1
- 2
- 3
- 4
- 5
- 6
- 7
- 8
- 9
- 10
- 11
- 12
- 13
- 14
- 15
- 16
- 17
- 18
- 19

SPECIFICATION

Steel, 1.7225 (42 CrMo 4V) **ST**
zinc plated, blue passivated

Stainless steel AISI 303 (X 10 CrNiS 18-9) **NI**

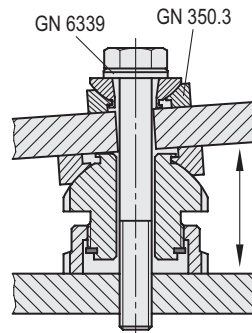
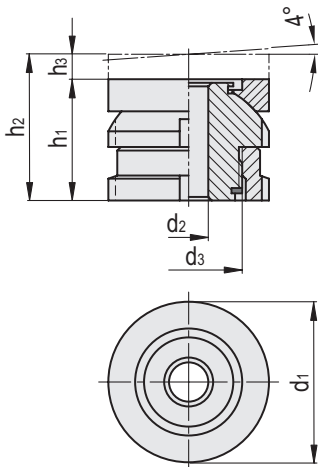
INFORMATION

Leveling sets GN 350.2 are used for leveling, adjusting and linking operations. The spherical washer allows precise installation of two non parallel planes at a required gradient up to $\approx 4^\circ$.

They comprise a threaded upper sleeve and a female threaded lower sleeve. The fine thread allows a stepless and precise setting and locking using the C-Spanner DIN 1810. A locking ring serves as a height limiter for the max. height.

ACCESSORIES

C-Spanner DIN 1810

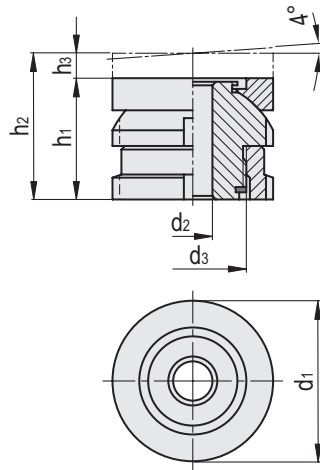


GN 350.2-ST

Code	Description	d1	d2	d3	h1	h2	h3	Screws	Static load F1 [kN]	Static load F2 [kN]	ΔL
GN.74812	GN 350.2-25-6,6-22-ST	25	6.6	M 15x1	22	26	4	M 6	40*	30.7**	60
GN.74814	GN 350.2-25-6,6-35-ST	25	6.6	M 15x1	35	50	15	M 6	40*	30.7**	100
GN.74822	GN 350.2-32-6,6-26-ST	32	6.6	M 20x1	26	31	5	M 6	65*	55.7**	132
GN.74824	GN 350.2-32-6,6-43-ST	32	6.6	M 20x1	43	63	20	M 6	65*	55.7**	216
GN.74826	GN 350.2-32-9-26-ST	32	9	M 20x1	26	31	5	M 8	65*	48**	126
GN.74828	GN 350.2-32-9-43-ST	32	9	M 20x1	43	63	20	M 8	65*	48**	200
GN.74830	GN 350.2-32-11-26-ST	32	11	M 20x1	26	31	5	M 10	65*	37.9**	120
GN.74832	GN 350.2-32-11-43-ST	32	11	M 20x1	43	63	20	M 10	65*	37.9**	179
GN.74842	GN 350.2-45-11-34-ST	45	11	M 30x1.5	34	41	7	M 10	120*	92.9**	355
GN.74844	GN 350.2-45-11-54-ST	45	11	M 30x1.5	54	79	25	M 10	120*	92.9**	553
GN.74846	GN 350.2-45-13,5-34-ST	45	13.5	M 30x1.5	34	41	7	M 12	120*	80.4**	307
GN.74848	GN 350.2-45-13,5-54-ST	45	13.5	M 30x1.5	54	79	25	M 12	120*	80.4**	547
GN.74850	GN 350.2-45-17,5-34-ST	45	17.5	M 30x1.5	34	41	7	M 16	120*	45.5**	280
GN.74852	GN 350.2-45-17,5-54-ST	45	17.5	M 30x1.5	54	79	25	M 16	120*	45.5**	513
GN.74862	GN 350.2-58-17,5-44-ST	58	17.5	M 40x1.5	44	53	9	M 16	210*	136**	665
GN.74864	GN 350.2-58-17,5-70-ST	58	17.5	M 40x1.5	70	102	32	M 16	210*	136**	904
GN.74866	GN 350.2-58-22-44-ST	58	22	M 40x1.5	44	53	9	M 20	210*	90**	610
GN.74868	GN 350.2-58-22-70-ST	58	22	M 40x1.5	70	102	32	M 20	210*	90**	1030
GN.74870	GN 350.2-58-26-44-ST	58	26	M 40x1.5	44	53	9	M 24	210*	37**	560
GN.74872	GN 350.2-58-26-70-ST	58	26	M 40x1.5	70	102	32	M 24	210*	37**	975
GN.74882	GN 350.2-70-22-50-ST	70	22	M 50x1.5	50	60	10	M 20	330*	210**	1300
GN.74884	GN 350.2-70-22-83-ST	70	22	M 50x1.5	83	123	40	M 20	330*	210**	1800
GN.74886	GN 350.2-70-26-50-ST	70	26	M 50x1.5	50	60	10	M 24	330*	157**	940
GN.74888	GN 350.2-70-26-83-ST	70	26	M 50x1.5	83	123	40	M 24	330*	157**	1823
GN.74890	GN 350.2-70-33-50-ST	70	33	M 50x1.5	50	60	10	M 30	330*	53**	815
GN.74892	GN 350.2-70-33-83-ST	70	33	M 50x1.5	83	123	40	M 30	330*	53**	1618
GN.74902	GN 350.2-80-26-56-ST	80	26	M 60x2	56	68	12	M 24	495*	322**	1600
GN.74904	GN 350.2-80-26-94-ST	80	26	M 60x2	94	144	50	M 24	495*	322**	2888
GN.74906	GN 350.2-80-33-56-ST	80	33	M 60x2	56	68	12	M 30	495*	218**	1580
GN.74908	GN 350.2-80-33-94-ST	80	33	M 60x2	94	144	50	M 30	495*	218**	2560
GN.74910	GN 350.2-80-39-56-ST	80	39	M 60x2	56	68	12	M 36	495*	101**	1440
GN.74912	GN 350.2-80-39-94-ST	80	39	M 60x2	94	144	50	M 36	495*	101**	2252

* max. total load

** max. load after deduction of the max. preload, for ST for screws 8.8 ($\mu = 0,125$), for NI for screws 6.8 ($\mu = 0,14$)



GN 350.2-NI

INOX STAINLESS STEEL

Code	Description	d1	d2	d3	h1	h2	h3	Screws	Static load F1 [kN]	Static load F2 [kN]	⚖️
GN.74811	GN 350.2-25-6,6-22-NI	25	6.6	M 15x1	22	26	4	M 6	27.1*	20.26**	60
GN.74813	GN 350.2-25-6,6-35-NI	25	6.6	M 15x1	35	50	15	M 6	27.1*	20.26**	100
GN.74821	GN 350.2-32-6,6-26-NI	32	6.6	M 20x1	26	31	5	M 6	43.4*	36.56**	132
GN.74823	GN 350.2-32-6,6-43-NI	32	6.6	M 20x1	43	63	20	M 6	43.4*	36.56**	216
GN.74825	GN 350.2-32-9-26-NI	32	9	M 20x1	26	31	5	M 8	43.4*	30.86**	126
GN.74827	GN 350.2-32-9-43-NI	32	9	M 20x1	43	63	20	M 8	43.4*	30.86**	200
GN.74829	GN 350.2-32-11-26-NI	32	11	M 20x1	26	31	5	M 10	43.4*	23.41**	120
GN.74831	GN 350.2-32-11-43-NI	32	11	M 20x1	43	63	20	M 10	43.4*	23.41**	179
GN.74841	GN 350.2-45-11-34-NI	45	11	M 30x1.5	34	41	7	M 10	84*	64.01**	355
GN.74843	GN 350.2-45-11-54-NI	45	11	M 30x1.5	54	79	25	M 10	84*	64.01**	553
GN.74845	GN 350.2-45-13,5-34-NI	45	13.5	M 30x1.5	34	41	7	M 12	84*	54.82**	307
GN.74847	GN 350.2-45-13,5-54-NI	45	13.5	M 30x1.5	54	79	25	M 12	84*	54.82**	547
GN.74849	GN 350.2-45-17,5-34-NI	45	17.5	M 30x1.5	34	41	7	M 16	84*	28.90**	280
GN.74851	GN 350.2-45-17,5-54-NI	45	17.5	M 30x1.5	54	79	25	M 16	84*	28.90**	513
GN.74861	GN 350.2-58-17,5-44-NI	58	17.5	M 40x1.5	44	53	9	M 16	148*	92.90**	665
GN.74863	GN 350.2-58-17,5-70-NI	58	17.5	M 40x1.5	70	102	32	M 16	148*	92.90**	904
GN.74865	GN 350.2-58-22-44-NI	58	22	M 40x1.5	44	53	9	M 20	148*	59.08**	610
GN.74867	GN 350.2-58-22-70-NI	58	22	M 40x1.5	70	102	32	M 20	148*	59.08**	1030
GN.74869	GN 350.2-58-26-44-NI	58	26	M 40x1.5	44	53	9	M 24	148*	20.30**	560
GN.74871	GN 350.2-58-26-70-NI	58	26	M 40x1.5	70	102	32	M 24	148*	20.30**	975
GN.74881	GN 350.2-70-22-50-NI	70	22	M 50x1.5	50	60	10	M 20	225*	136.08**	1300
GN.74883	GN 350.2-70-22-83-NI	70	22	M 50x1.5	83	123	40	M 20	225*	136.08**	1800
GN.74885	GN 350.2-70-26-50-NI	70	26	M 50x1.5	50	60	10	M 24	225*	97.30**	940
GN.74887	GN 350.2-70-26-83-NI	70	26	M 50x1.5	83	123	40	M 24	225*	97.30**	1823
GN.74889	GN 350.2-70-33-50-NI	70	33	M 50x1.5	50	60	10	M 30	225*	20.60**	815
GN.74891	GN 350.2-70-33-83-NI	70	33	M 50x1.5	83	123	40	M 30	225*	20.60**	1618
GN.74901	GN 350.2-80-26-56-NI	80	26	M 60x2	56	68	12	M 24	323*	195.30**	1600
GN.74903	GN 350.2-80-26-94-NI	80	26	M 60x2	94	144	50	M 24	323*	195.30**	2888
GN.74905	GN 350.2-80-33-56-NI	80	33	M 60x2	56	68	12	M 30	323*	118.60**	1580
GN.74907	GN 350.2-80-33-94-NI	80	33	M 60x2	94	144	50	M 30	323*	118.60**	2560
GN.74909	GN 350.2-80-39-56-NI	80	39	M 60x2	56	68	12	M 36	323*	38.20**	1440
GN.74911	GN 350.2-80-39-94-NI	80	39	M 60x2	94	144	50	M 36	323*	38.20**	2252

* max. total load

** max. load after deduction of the max. preload, for ST for screws 8.8 ($\mu = 0,125$), for NI for screws 6.8 ($\mu = 0,14$)